

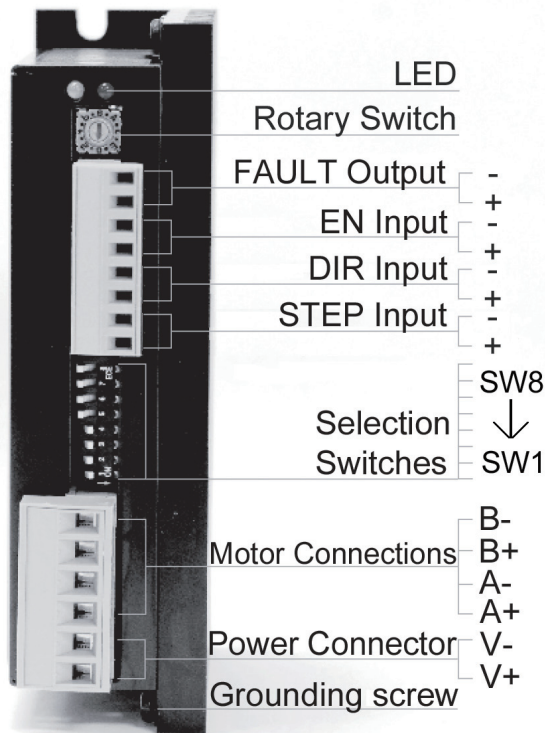
SR8

Step Motor Drive

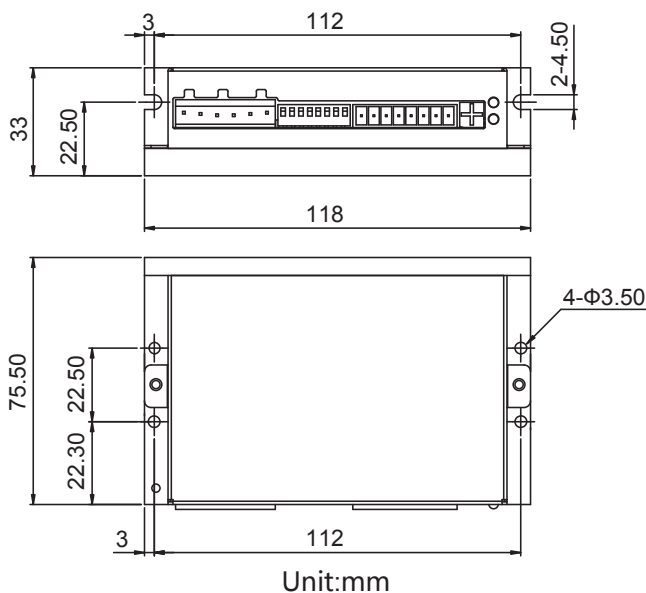
Description

The SR8 series drive is a cost-effective, high performance 2 phase step drive. The design is based on PID current control technology, and features high torque, low noise, and low vibration. The running current and microstep resolution are switch selectable.

Connections - Inputs & Outputs



Mechanical Drawings

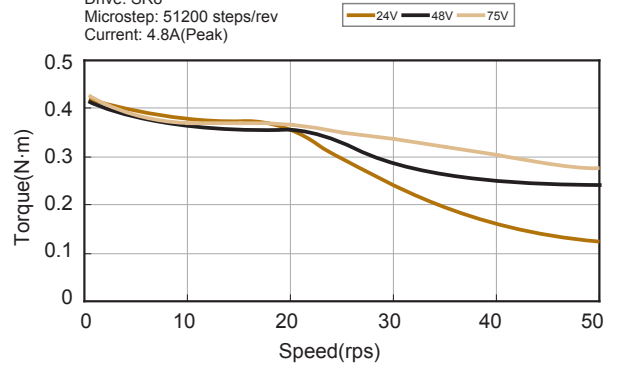


Torque Curves

The torque curves below were generated from some of the recommended motors.

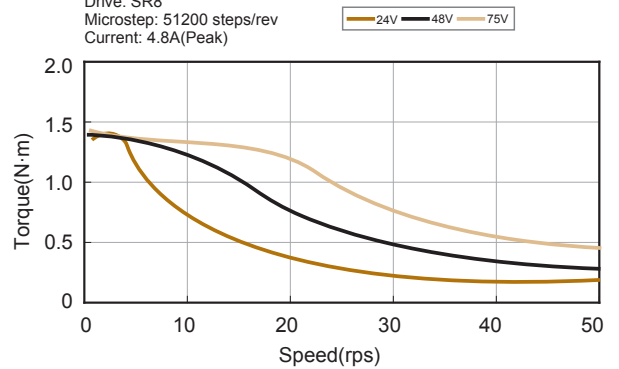
23HS0416-01

Drive: SR8
Microstep: 51200 steps/rev
Current: 4.8A(Peak)



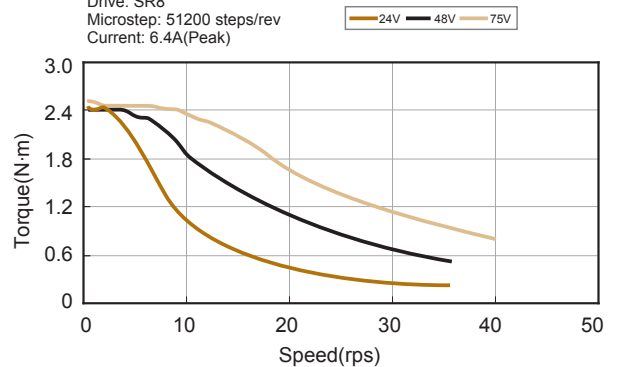
23HS3422-06

Drive: SR8
Microstep: 51200 steps/rev
Current: 4.8A(Peak)



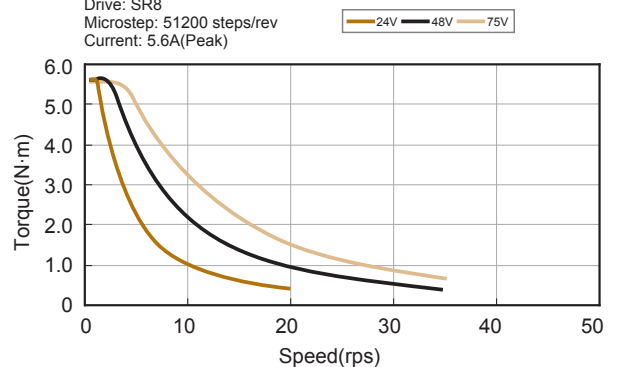
34HD0801-02

Drive: SR8
Microstep: 51200 steps/rev
Current: 6.4A(Peak)



34HD2801-05

Drive: SR8
Microstep: 51200 steps/rev
Current: 5.6A(Peak)



Specifications				
Electrical Specifications				
Parameter	Min.	Typ.	Max.	Unit
Power Supply	24	-	75	VDC
Output Current (Peak)	2.4	-	7.8	amps
STEP/DIR Input Signal Average Forward Current	6	10	15	mA
Step Frequency	2	-	2M	Hz
STEP Minimum Pulse Width Hi and Low	250	-	-	ns
DIR Minimum Pulse Width	50	-	-	us
Under Voltage Protection	-	20	-	VDC
Over Voltage Protection	-	85	-	VDC
STEP/DIR Input Signal Voltage	4.0	-	28	VDC
Driver Initialization Time	-	-	2.5	S
Environmental Specifications				
Heat Sinking Method	Natural cooling or fan-forced cooling			
Surrounding Air Conditions	Avoid dust, oily mist and corrosive air			
Operating Temperature	0 - 40°C (32 - 104°F)			
Maximum Ambient Humidity	90% non-condensing			
Shock	5.9m/s ² maximum			
Storage Temperature	-10 - 70°C (14 - 158°F)			

Switch Selections				
Running current, idle current, microstep resolution and self test are selectable by a switch or a combination of on/off settings of 2 or more switches.				
Running current - 3 switches for a total of 8 settings:				Microstep resolution - 3 switches for a total of 8 settings:
Peak	SW1	SW2	SW3	Microstep(step/rev)
2.4A	ON	ON	ON	400
3.2A	OFF	ON	ON	800
4A	ON	OFF	ON	1600
4.8A	OFF	OFF	ON	3200
5.6A	ON	ON	OFF	6400
6.4A	OFF	ON	OFF	12800
7A	ON	OFF	OFF	25600
7.8A	OFF	OFF	OFF	51200
Idle Current (SW4) - ON for 50% of running value, OFF for 90%				Self test (SW8) - ON for self test, OFF for none